

Product data sheet



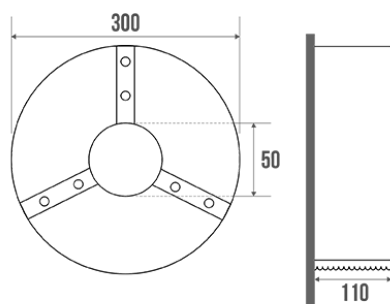
Information

Designation	Jumbo toilet roll dispenser, 300 x 110 mm, White Epoxy-coated Steel, Ø 300 mm
Reference	878500

Description

With allen key lock.
Fill level indicator.

Supplied with 1 metal key.
To use with the toilet paper ref. 870180 (white cotton) or ref.870513 (white crepe).
Perfectly suited for use in Institutions.



Technical characteristics

Finish	Epoxy-coated
Color	White
Dimensions	300 x 110 mm
Diameter Ø	300 mm
Capacity	1 roll Ø 290 mm
Material	Steel
Gross weight	1.960 kg
Packaging	Cardboard box + label
Made in France	yes
Maintenance	yes
Guarantee	1 year
Gencod	3563398785005
Custom code	7324900010
Technical sheet	No technical sheet available
Spare parts	Ref. 870513: White crepe paper toilet (6 rolls of 500 m per bag). Ref. 870180: White cotton paper toilet (6 rolls of 400 m per bag).

Fixing and maintenance advices

Careful consideration and selection of the appropriate wall fixings according to the wall-mounted support is required to ensure the long life of your accessory. The use of stainless steel screws (\varnothing 4 mm) is highly recommended to prevent corrosion in damp environment. Before drilling, physically hold the product against the wall at desired position and mark the hole locations. All the fixing points must be respected. After installation and before use, make sure that all fixing screws are tightened securely.

Fiche produit mise à jour le : 10/01/2024