

## Product data sheet

### Information

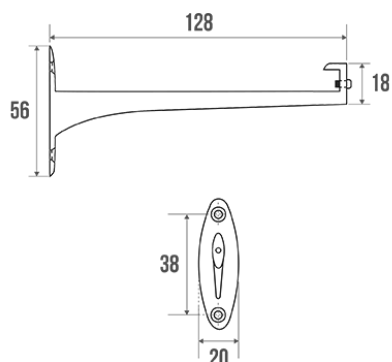
Designation	Vanity shelf bracket, 56 x 128 mm, Chrome-plated Zamak
Reference	006021



### Description

With front screw.  
For shelves 120 mm deep and maximum 8.5 mm thick.  
Per piece.

Wall fixings not included.  
Perfectly suited for use in Institutions.



### Technical characteristics

Finish	Chrome-plated
Dimensions	56 x 128 mm
Material	Zamak
Gross weight	0.040 kg
Packaging	Plastic protection bag
Made in France	yes
Maintenance	yes
Guarantee	5 years
Gencod	3563390060216
Custom code	7901200000
Technical sheet	No technical sheet available

### Fixing and maintenance advices

Careful consideration and selection of the appropriate wall fixings according to the wall-mounted support is required to ensure the long life of your accessory. The use of stainless steel screws ( $\varnothing$  4 mm) is highly recommended to prevent corrosion in damp environment. Before drilling, physically hold the product against the wall at desired position and mark the hole locations. All the fixing points must be respected. After installation and before use, make sure that all fixing screws are tightened securely.



Fiche produit mise à jour le : 07/05/2024