

## Technische fiche



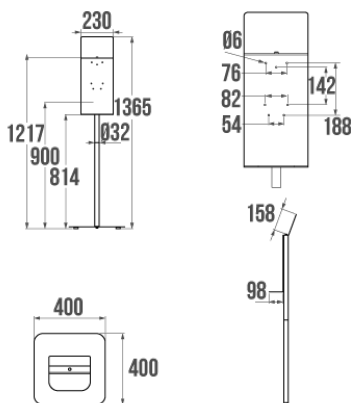
### Informaties

Aanstelling	Desinfectiestation met elektronische dispenser voor vloeibare zeep
Referentie	878132

### De pluspunten

- + Met een waterstroom reduceerklap.
- + Slot met sleutel.
- + Controlestuk om het resterende zeep.

## Beschrijving



#### DISINFECTATION STATION

Base made up of 2 reinforced tubes  $\varnothing$  32 mm, length 600 mm and steel base 400 x 400 mm. Black epoxy folded aluminium plate with communication area. Delivered disassembled.

AUTOMATIC LIQUID SOAP DISPENSER COMPATIBLE WITH HYDROALCOHOLIC GEL White.

Container: 1100 ml.

Without switch nor control lever for a maximum of hygiene. Dose of soap distributed by automatic detection of hands by cell infraRed. Output: 1 ml / measure. Deliver 1 dose every 3 seconds (10 consecutive doses maximum). Economic: precise dosage of the output, avoids the risk of wasting. Fill level indicator. With key lock. Goes out automatically in the opening of the bonnet.

CAUTION: Incompatible with microbead hand soap. Accepts some hand sanitizers. Supplied with a 1 litre reservoir tank and suction tube. Power supply: 4x 1.5 V AA LR6 batteries (not included).

Complies with the HACCP food safety programm. Use of liquid soap PELLET ref. 870510 or hydroalcoholic gel PELLET ref. 870509

Perfectly suited for use in Institutions, medical offices, hospitals and all public places in general for intensive use.

Dispenser guarantee 1 year.

## Technische kenmerken

Afwerking	Epoxy
Kleur	Zwart
Afmetingen	1365 x 230 x 400 mm
Diameter $\varnothing$	32 mm
Materiaal	Staal en aluminium
Brutogewicht	9.000 kg
Verpakking	Neutrale doos
Franse productie	ja
Onderhoud	ja

Waarborg	10 jaar
Nettogewicht	8.500 kg
Gencod	3563398781328
Douanecode	7615200000
Infoblad	<a href="#">S00002284_IND_01</a>

## Ondehoud en installatie gids

---

Geen specifieke aanbeveling.

Fiche produit mise à jour le : 10/01/2024