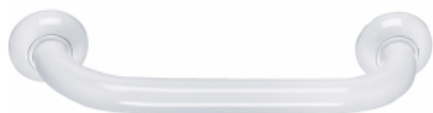


Technische fiche



Informaties

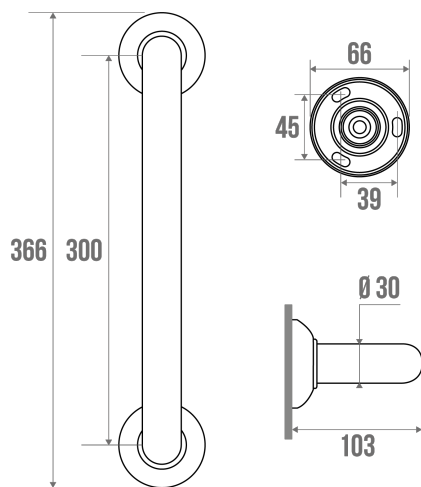
Aanstelling	300 mm antibacteriële rechte staaf
Referentie	490130



De pluspunten

- + Reducing bacteria up to 99 %
- + Improving products hygiene.
- + Minimizing cross-contamination

Beschrijving



Concealed fixings.
White epoxy-coated aluminium tube Ø 30 mm.
White polymeer flanges Ø 66 mm. Antibacterial treatment reducing bacteria up to 99 %.
Perfectly suitable with the Durofort antibacterial accessories.

Technische kenmerken

Afwerking	Epoxy
Kleur	Wit
Afmetingen	300 mm
Diameter Ø	30 mm
Materiaal	Aluminium
Brutogewicht	0.460 kg
Verpakking	Kunststof beschermingslaag + hanger voor display
Aanvaardbare last	150 kg
Getest in laboratorium aan	225 kg

Franse productie	ja
Onderhoud	ja
Waarborg	10 jaar
Nettogewicht	0.465 kg
Gencod	3563394901300
Douanecode	7615200000
Infoblad	Infoblad niet beschikbaar

Ondehoud en installatie gids

Recommended height for the horizontal part : 800 mm from the ground. Grab bars provide support and added safety if properly fitted in accordance with our technical instructions. Careful consideration and selection of the appropriate wall fixings according to the wall-mounted support is required to ensure the long life of your accessory. The use of stainless steel screws (\varnothing 4 mm) is highly recommended to prevent corrosion in damp environment. Before drilling, physically hold the product against the wall at desired position and mark the hole locations. All the fixing points must be respected. After installation and before use, make sure that all fixing screws are tightened securely. DO NOT use the grab bar as a step. DO NOT sit on or hang from the grab bar.

Fiche produit mise à jour le : 07/05/2024